

DESCRIPTION

- 3 Function(Spray/Eco Spray/Mix) With Modern Smooth Shape
- ABS Shell with Chrome finish
- Applied with Air-in Technology
- G1/2 connections

OPERATION

- Push - Switch Handheld Shower

FLOW(Spray)

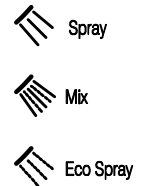
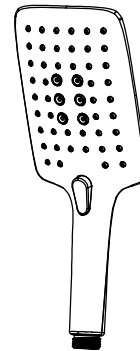
- 7.2L/Min@0.3MPa with 2.2GPM Restrictor

STANDARD

- Designed to meet GB/T 23447-2009
- Chrome Passed ASST24hrs Grade-10

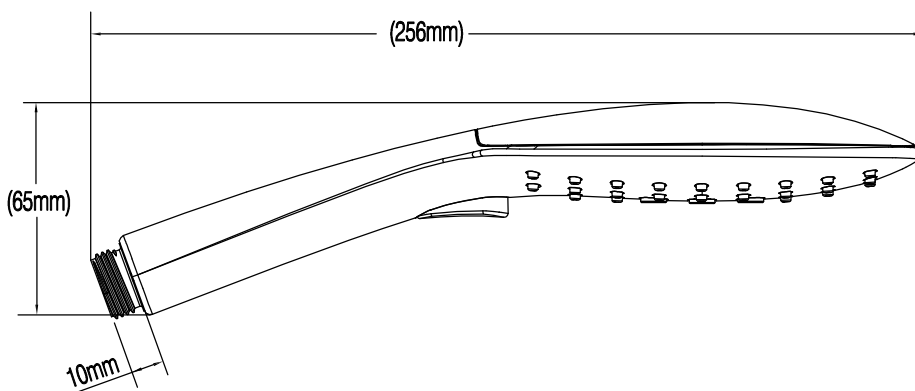
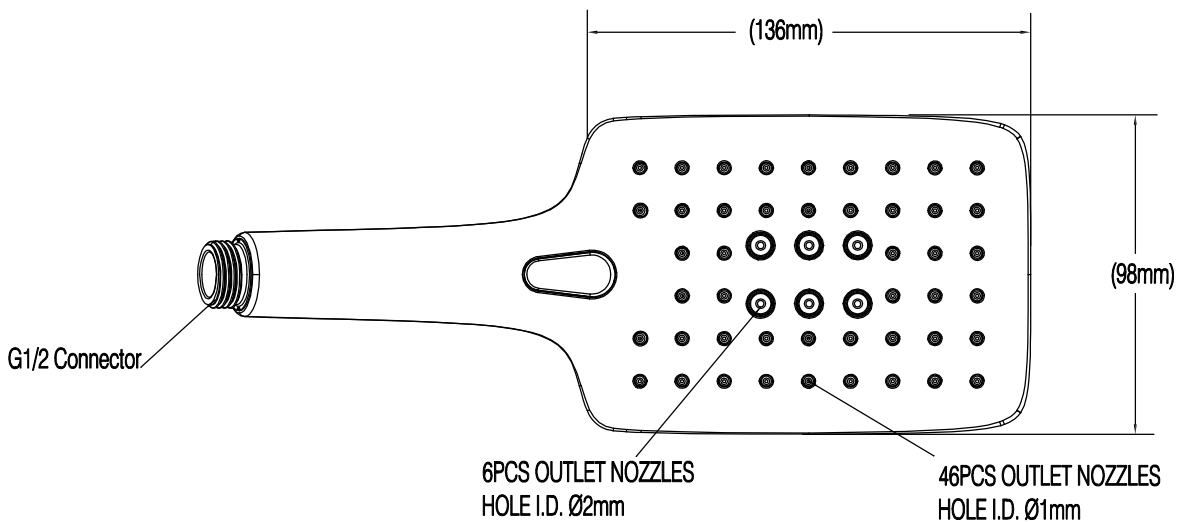
WARRANTY

- 1 year limited warranty against leaks and drips



Model: HH3002

Air-in 3 Function Handheld Shower



CRITICAL DIMENSION
(DO NOT SCALE)

