

DESCRIPTION

- Metal construction with polishing surface finish

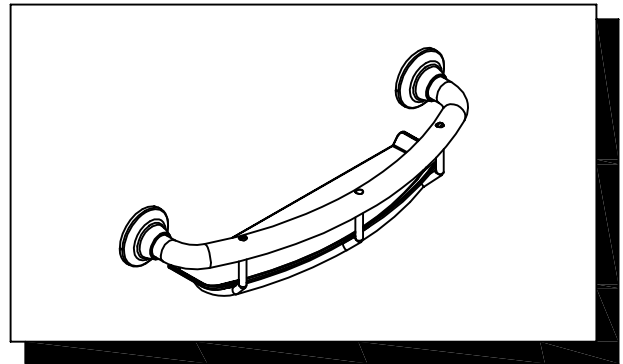
STANDARD

- Comply with JC/T 2120-2012
- Surface polishing finish pass AASS 24H grade 10.

WARRANTY

- 5 years limited warranty except artificial damage and chemicals erosion

NOTE: ALL DIMENSIONS ARE MM.



Grab Bar With Shelf
Models: 90186

