

DESCRIPTION

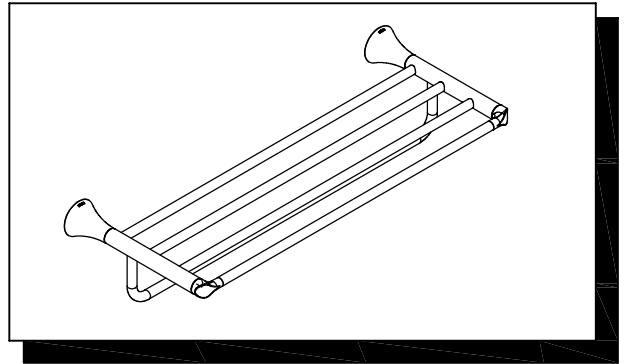
- Metal construction with chrome plated and BN finish

STANDARD

- Comply with QB/T1560
- Chrome plated and BN finish pass AASS 24H grade 10.

WARRANTY

- 5 years limited warranty except artificial damage and chemicals erosion



Cynthia Series Accessories: Double Towel Shelf(60cm)
Models: ACC1701/ACC1701BN

